



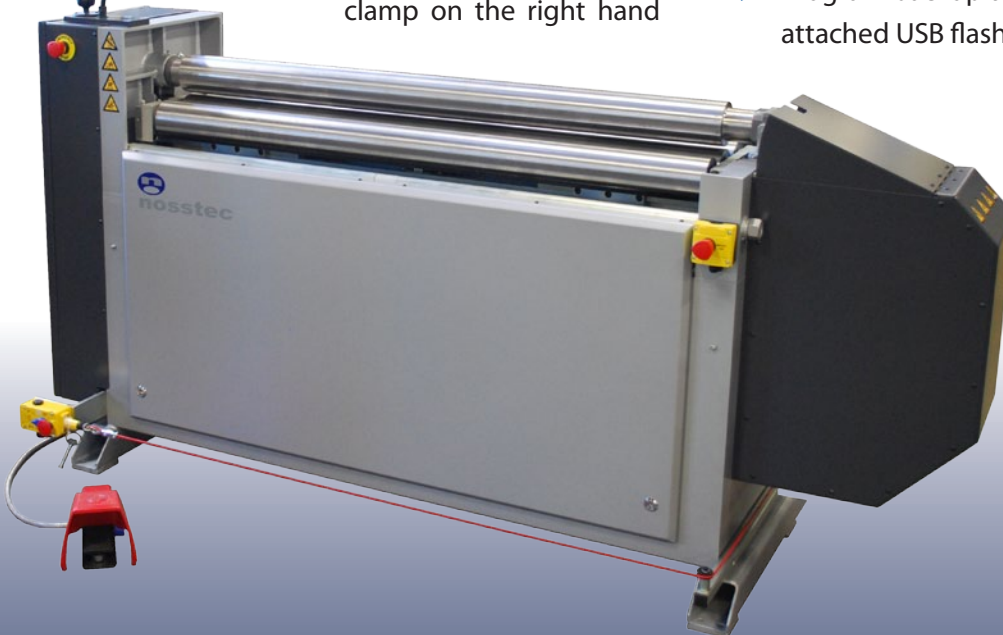
nosstec

BENDING ROLL MACHINE 8344

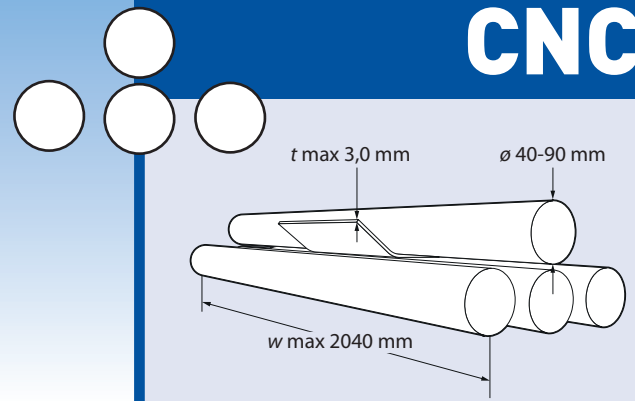
Suitable for small to medium production as well as complex shapes, the 8344 CNC can bend profiles with variable radii and sections. The design with three lower bending rolls, mounted in a cassette, which is swivelling and adjustable in height, enables bending of very complex profiles in one single operation. The three rolls of the cassette are used as prebending roll, bottom roll and final bending roll. The cassette system also allows exchange of the rolls to other dimensions (applies to 70, 80 and 90 mm). The special design of the machine and the location of the four rolls eliminate all intermediate handling of the sheet between the prebending and the final bending. This simplified working method also means that the storage space around the machine can be reduced, a higher repetition accuracy is achieved as well as a higher productivity.



The adjustment of the cassette into the programmed position is carried out by means of ball screws. When the bending is finished the lock clamp on the right hand



CNC



side opens for the removal of the profile, if the profile is not closed, this function can be eliminated in the control program.

As standard the machine is delivered with hardened and ground rolls, motor 400V 3-phase and 24V control voltage.

- ▶ CNC-control with the capacity to store 200 programs in internal memory and nearly unlimited by attaching an external USB flash drive
- ▶ Pre-bending and final bending in one cycle
- ▶ All four rolls are driven
- ▶ Crowned rolls
- ▶ Programmable axis
- ▶ Designed for highest accuracy
- ▶ Rolls mounted in changeable cassette system
- ▶ Openable locking arm
- ▶ Adjustable crowning of the lower roll
- ▶ Program backup through external computer or attached USB flash drive

Intech s.r.o.
Jilemnického 887
56201 Ústí nad Orlicí
Česká republika

T: +420 465 521235
F: +420 465 525223
info@intech.cz www.intech.cz

Nosstec AB, Kristineholmsvägen 12, 441 39 Alingsås, SWEDEN

Tel: +46 (0)512 - 298 85 • Fax: +46 (0)512 - 298 89 • E-mail: info@nosstec.se • Web: www.nosstec.se

For copyright reasons all reproduction and copying of the texts, photos, tables and illustrations is prohibited without written permission from Nosstec AB.

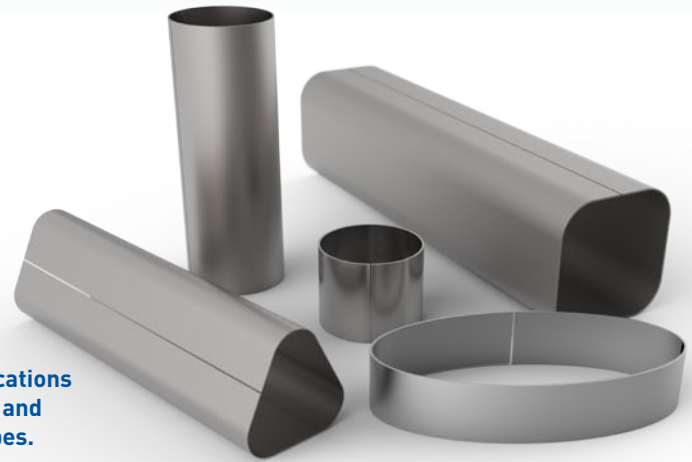
Simple to use control panel

The programming of the machine is facilitated by different menus available on the screen. In order to further simplify the programming, the control buttons are of multi-function type, whose functions are automatically changed when changing menus. The CNC has an internal storage capacity of 200 programs or near unlimited with an external USB flash drive.

The program consists of sections, where each section is provided with a bending value. This enables easy and quick programming of the machine for different bending operations. The CNC system can operate with interpolation, where the rolls are adjusted simultaneously with the feeding operation.

Optional equipment

- ▶ Adjustable crowning support
- ▶ Chromium-plated rolls
- ▶ Adiprene-coated rolls or rolls with grooves
- ▶ Stacking tables
- ▶ Programmable support arm
- ▶ Additional safety equipment
- ▶ Infeed and outfeed equipment



Product applications such as tubes and elliptical shapes.

Art.no.	8344	-401010	-401208	-401507	-401706	-402005
Capacity		10/10	12/08	15/07	17/06	20/05
Working length (w)	mm	1008	1258	1508	1750	2008
Max. sheet thickness Alu (250 N/mm ²) (t)	mm	1,0	0,8	0,7	0,6	0,5
Diameter of rolls (ø)	mm	40	40	40	40	40
Motor output	kW	0,75	0,75	0,75	0,75	0,75
Max. working speed	m/min	4,6	4,6	4,6	4,6	4,6
Net. weight	kg	650	700	750	800	850

Art.no.	8344	-550715	-600720	-601010	-701020	-801025	-901030	-601208	-701215	-801220
Capacity		7/15	7/20	10/10	10/20	10/25	10/30	12/08	12/15	12/20
Working length (w)	mm	740	740	1020	1040	1040	1040	1250	1290	1290
Max. sheet thickness steel (400 N/mm ²) (t)	mm	1,5	2,0	1,0	2,0	2,5	3,0	0,8	1,5	2,0
Diameter of rolls (ø)	mm	55	60	60	70	80	90	60	70	80
Motor output	kW	0,75	0,75	0,75	0,75	0,75	0,75	0,75	0,75	0,75
Max. working speed	m/min	6,3	6,9	6,9	8,1	9,2	10,4	6,9	8,1	9,2
Net. weight	kg	650	650	650	650	700	750	700	700	750

Art.no.	8344	-901225	-701510	-801515	-901520	-701707	-801712	-901716	-802010	-902015
Capacity		12/25	15/10	15/15	15/20	17/07	17/12	17/16	20/10	20/15
Working length (w)	mm	1290	1540	1540	1540	1790	1790	1790	2040	2040
Max. sheet thickness steel (400 N/mm ²) (t)	mm	2,5	1,0	1,5	2,0	0,7	1,2	1,6	1,0	1,5
Diameter of rolls (ø)	mm	90	70	80	90	70	80	90	80	90
Motor output	kW	0,75	0,75	0,75	0,75	0,75	0,75	0,75	0,75	0,75
Max. working speed	m/min	10,4	8,1	9,2	10,4	8,1	9,2	10,4	9,2	10,4
Net. weight	kg	800	750	800	850	800	825	875	850	900

The prebending value is ca 70% of the indicated material.



The 8344 ø40mm machine equipped with cassette for louvers and reflectors

The design of the machine is based on the same principles as the other models of the 8344 series with the exception of the cassette. The rolls are here provided with roller supports along the whole bending length for adjustable crowning of the rolls.

The rolls are hardened with chromium-plated polished surfaces in order to avoid marks. Top roll crowning is carried out by means of a crossbeam, which can tilt 90 degrees to make room for the bent part of the sheet. The machine is only intended to form aluminium.